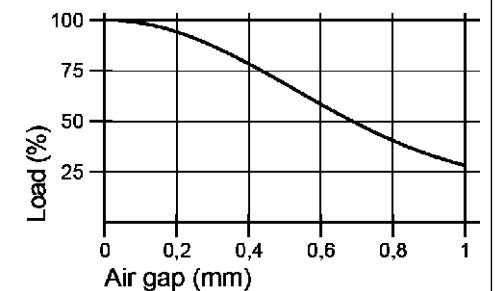
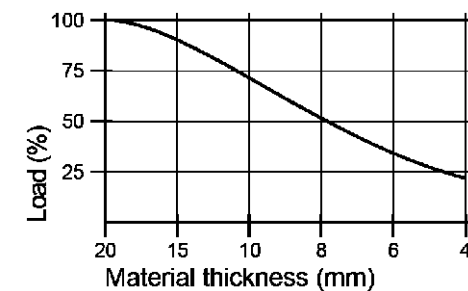
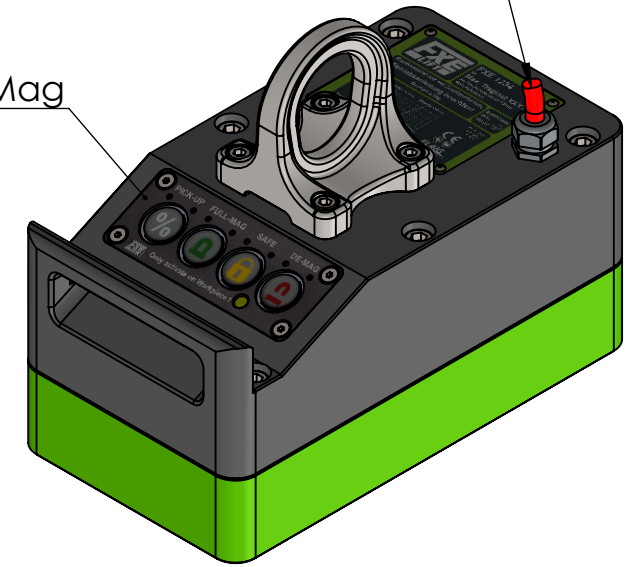


2m cable,  
optional Spiral cable 1-5m

Front board control panel  
Pick-Up/Full-Mag/Safe/De-Mag



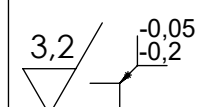
### Specification FXE 750-50

Nominative Force: 30,4kN	lifting capacity EN 13155/WLL
Materialthickness >15mm (100%)	WLL= 750kg
2,2 kVA	
U: 380-480V Pulse	Protection Class IP 65
R: 12,5Ω	Protectiv Earth SK I

### Max. Load capacity at sheets and 4-edge pipes

T material thickness	Lmax (mm)	Wmax (mm)	Wll (kg)
>=4mm	1800	1500	150
>=6mm	2000	1500	250
>=8mm	2000	1500	400
>=10mm	2000	1500	600
>=15mm	3000	1500	750

Schutzvermerk nach DIN ISO 16016 beachten!  
Nachdruck nur mit unserer Genehmigung!  
All rights reserved according to DIN ISO 16016!  
Reprint with our permission only!



tolerance  
ISO 7168 M

material: weight: 27kg

drawing no.: **0018525**

date	name
drawn 20.10.2023	TW
edit 23.10.2023	
appr. 23.10.2023	TW

description: **FXE 750-50**

**FLAIG**  
Magnetsysteme  
www.flraig-te.de

part no.: **10600701** sheet 1 / 1  
A3

rev. change date name scale: 1:3 Status: Freigegeben